



Accelink Introduction

Accelink Technologies Co., Ltd.



A Quick Glance of Accelink

No.1

Domestic
OC Industry

No.4

Global OC
Industry

8

Wholly Owned
Subsidiaries

4500

Employees

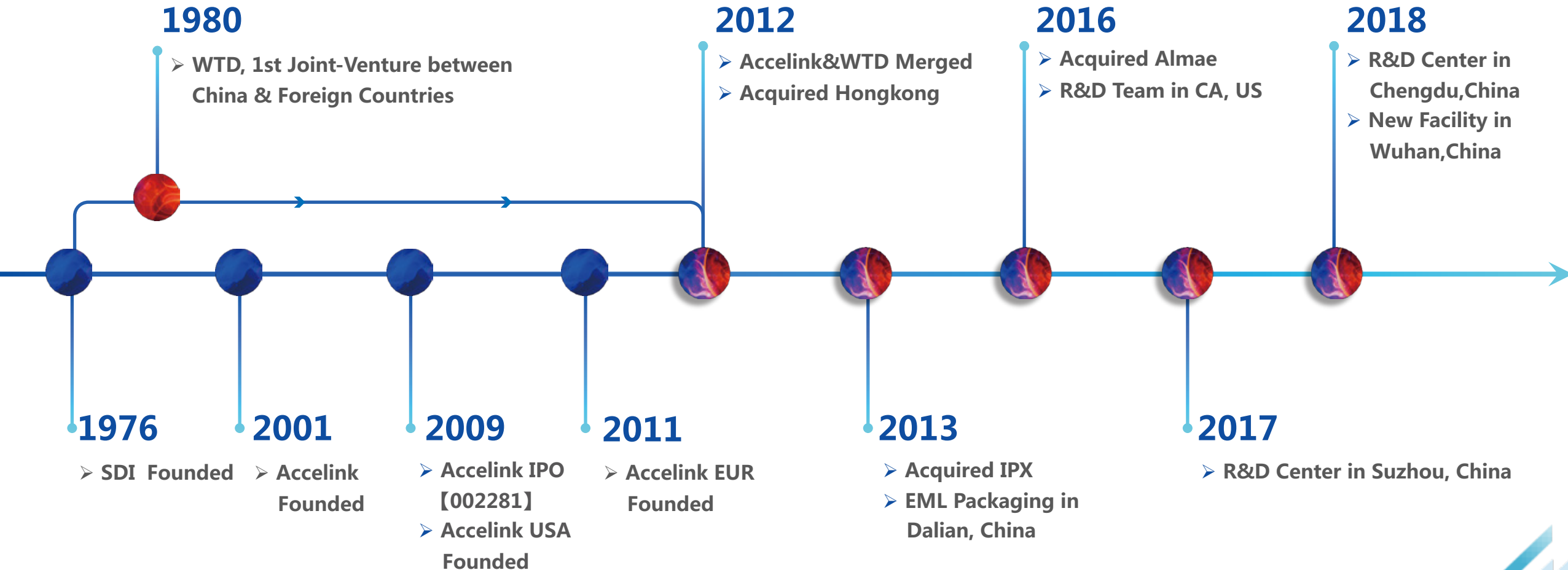
10%+

R&D
Investment

14 Years

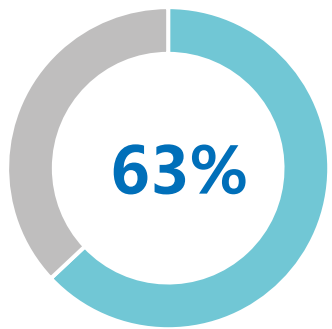
Top 10 Most Competitive
OC Company Globally

Development

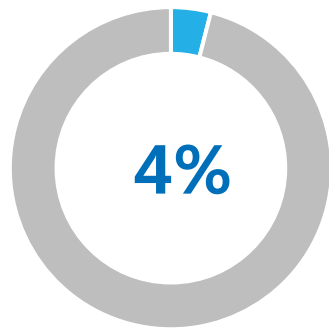


Human Resources

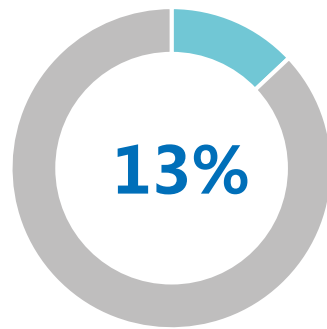
Employees:4450+



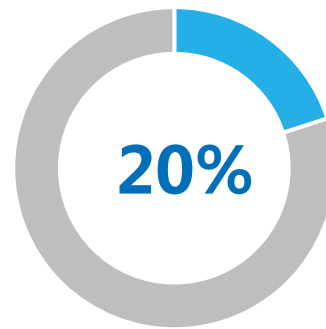
Production



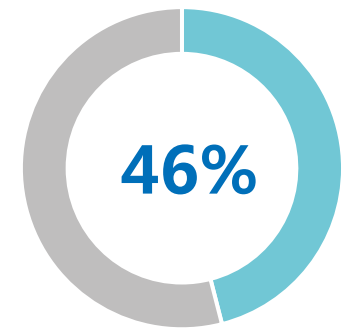
Marking & Sales



Administration

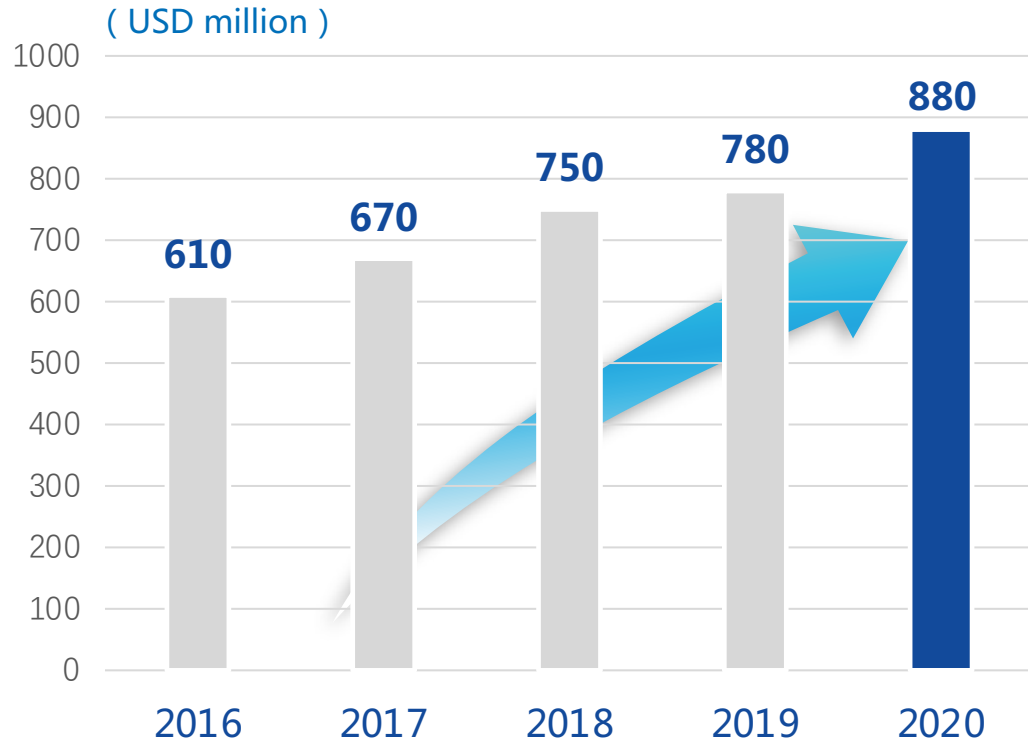


R&D

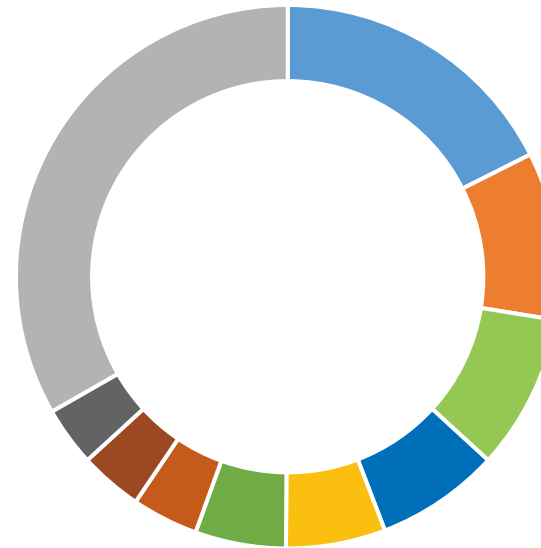


Ph.D. & Master:400+

Sales



Source: OC 20Q4

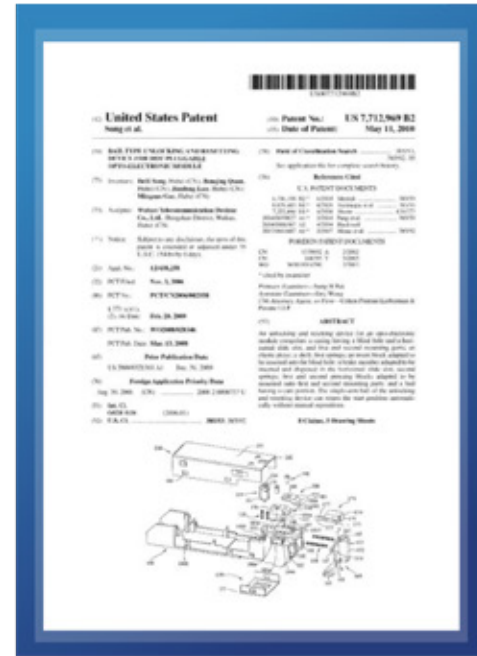
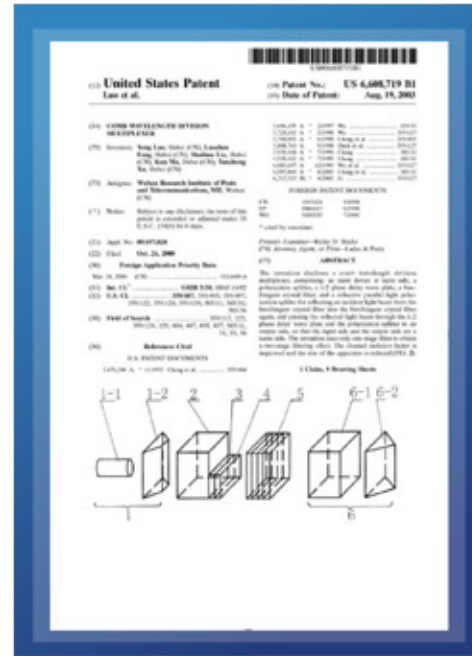
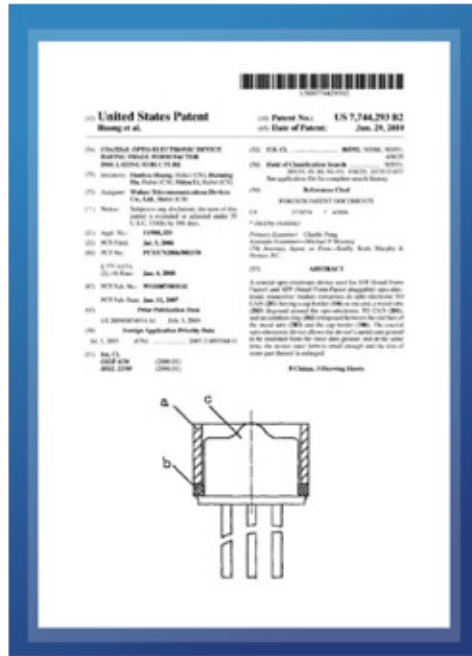


- II-VI 16.9%
- Lumentum 9.6%
- Innolight 8.9%
- **Accelink 7.1%**
- Broadcom 5.7%
- Hisense 5.2%
- Sumitomo 3.8%
- Intel 3.6%
- O-Net Communications 3.4%
- Other 32%

Strategic Layout



Patents



- More than 2000 patents had been applied by the end of 2020
- Authorized 1100+

Participation of Standards Organizations

ACCELINK actively participates in the work of standards:

55 international standard manuscripts were submitted and adopted, covering ITU-T, IEC, IEEE, OIF ;

189 National/Industry Standards have been issued leading or participating in the development;

8 MSA/industry alliances have been participated in , and others will be joined continually.

International Standard



National / Industry standard



MSA Industry Alliances



THANKS !

