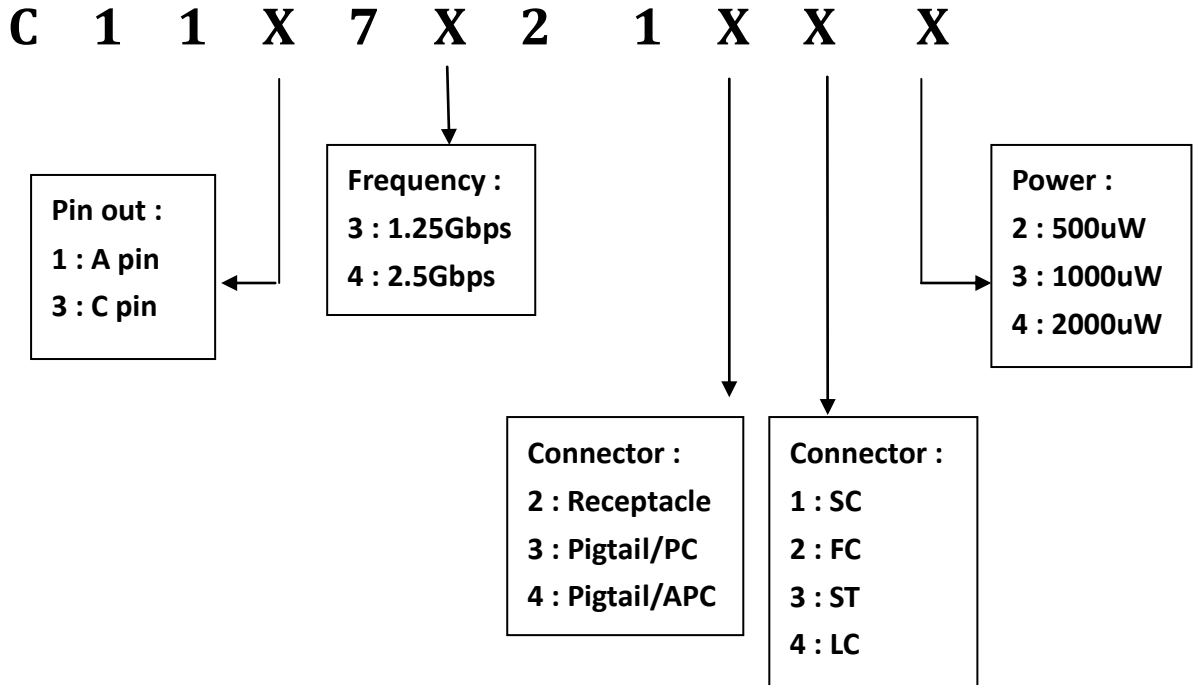
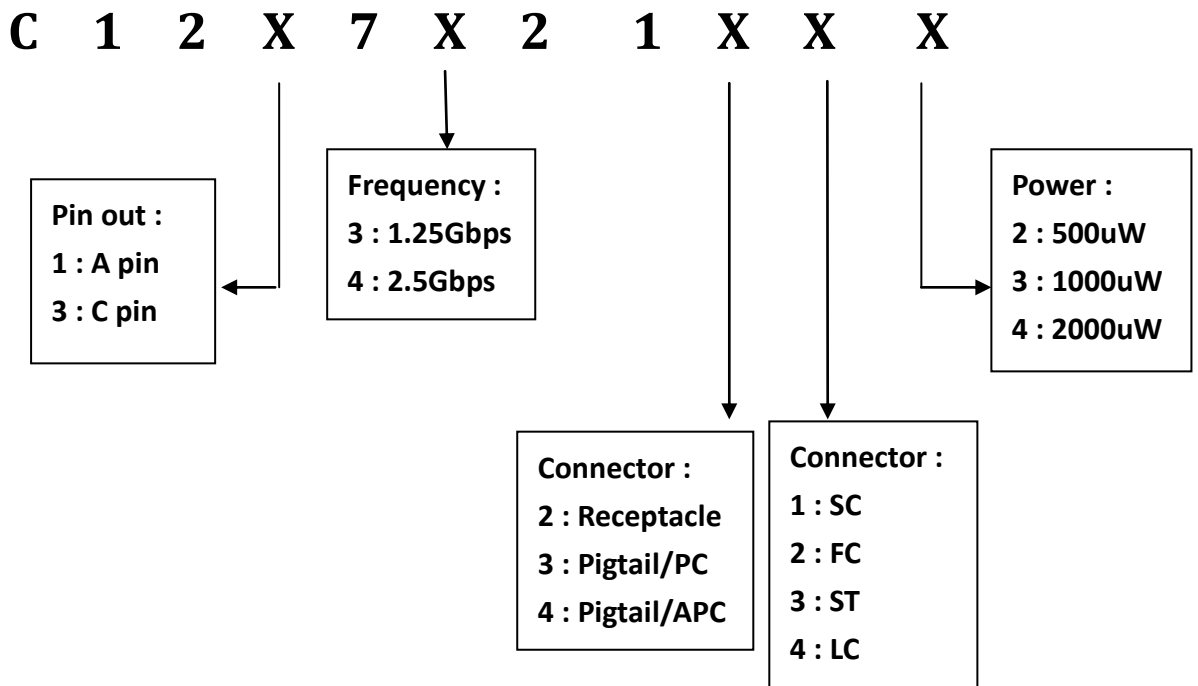


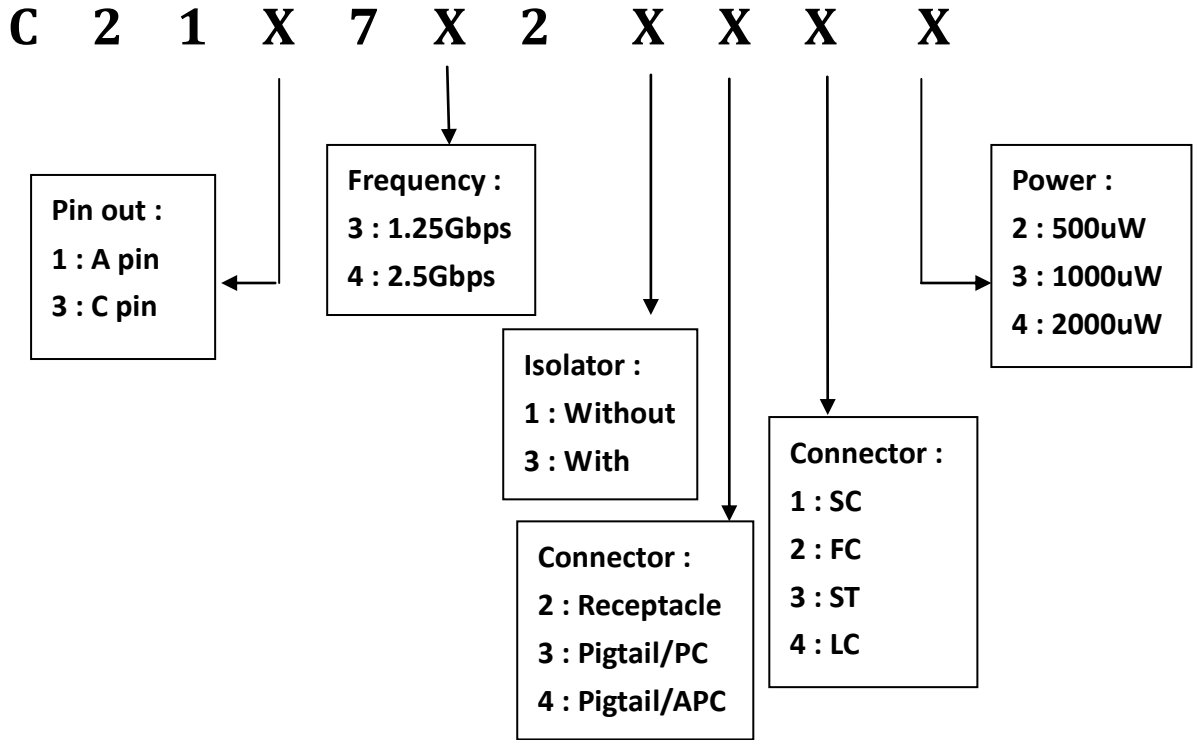
1310nm FP Order Information



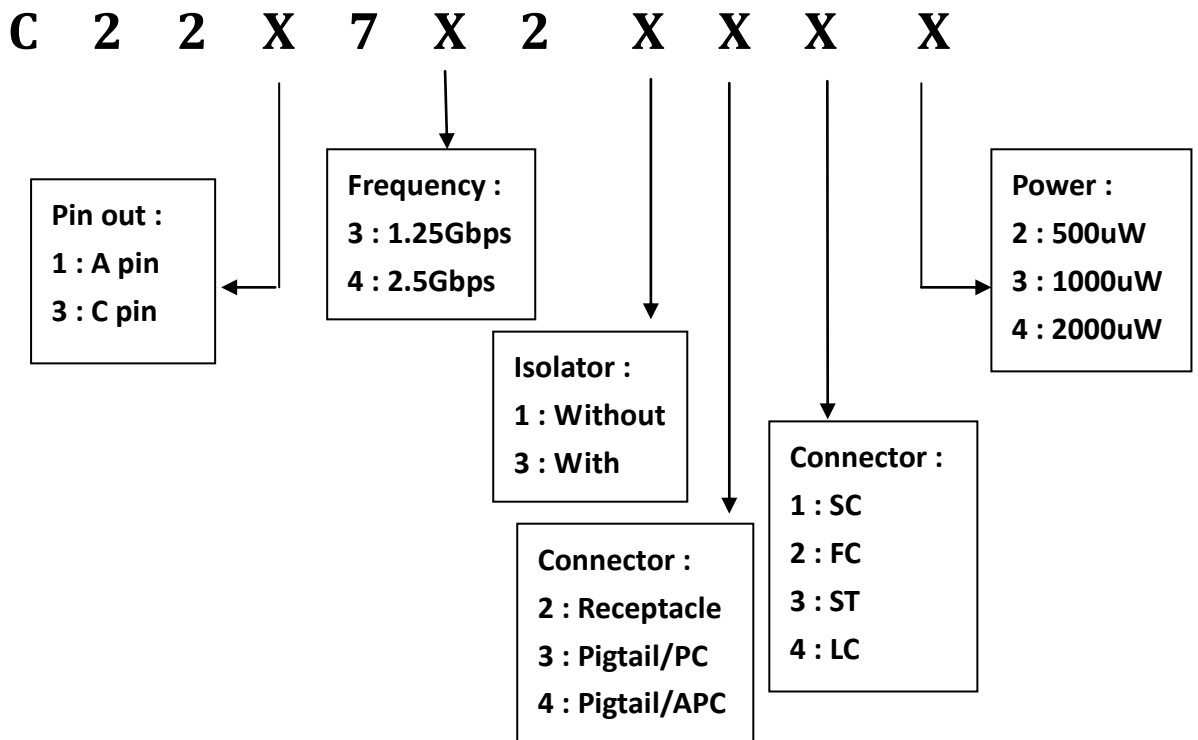
1550nm FP Order Information



1310nm DFB Order Information



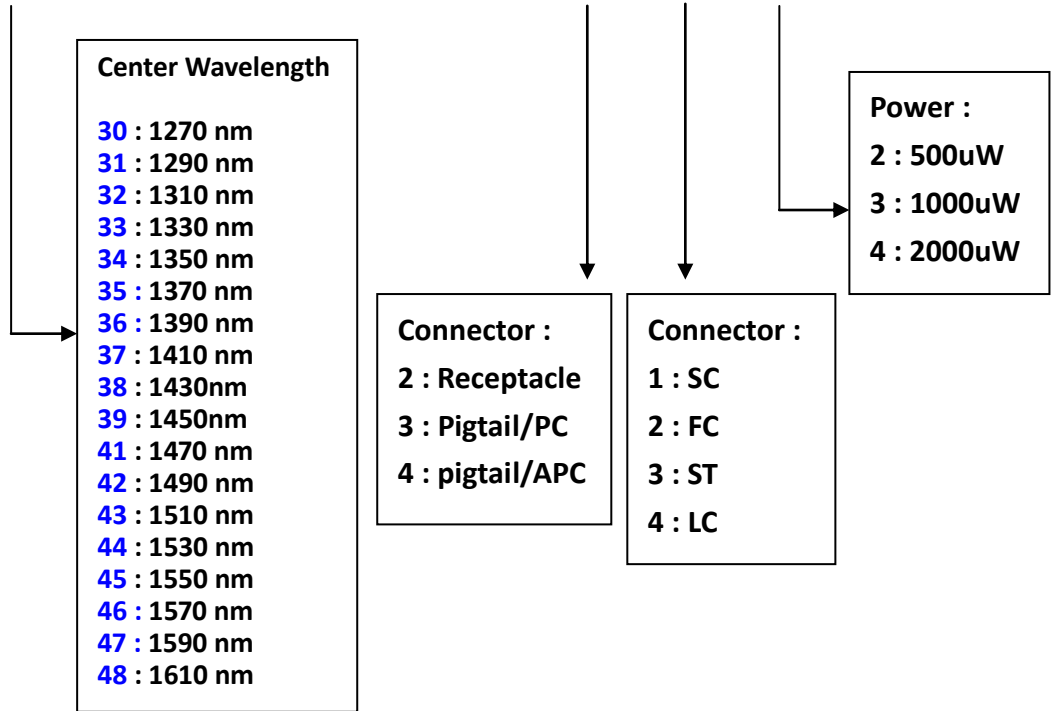
1550nm DFB Order Information



2.5G CWDM Order Information

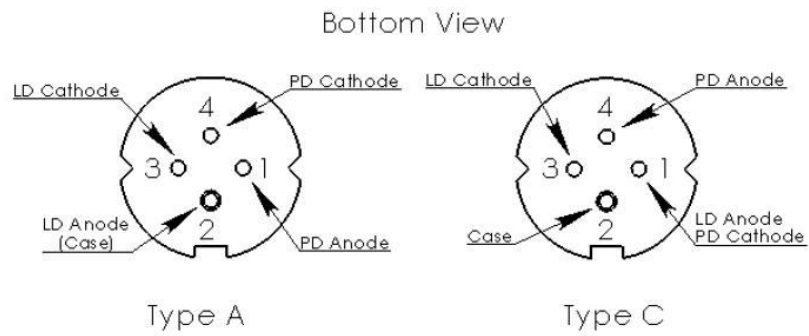
*-20~85°C

C X X 3 7 4 4 3 X X X



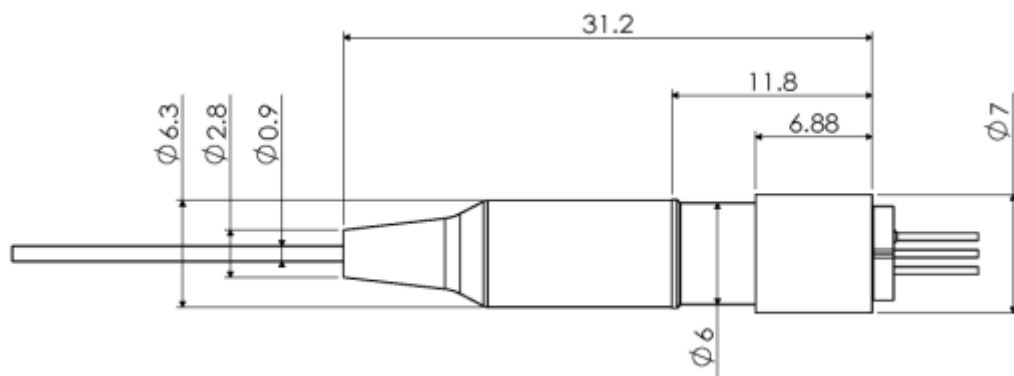
Dimension in mm

Pin assignment

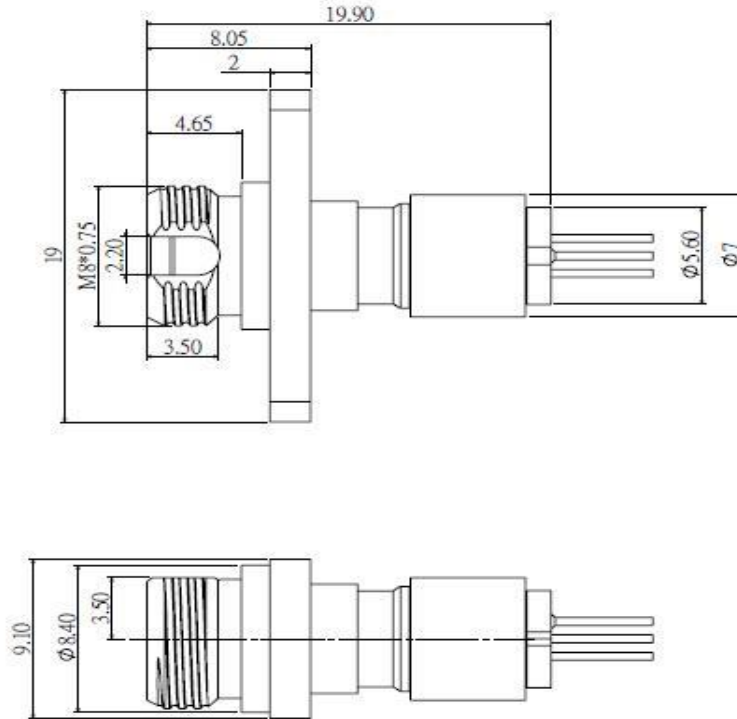


pin #	Type A	Type C
1	PD Anode	LD Anode & PD Cathode
2	LD Anode (case)	Case
3	LD Cathode	LD Cathode
4	PD Cathode	PD Anode

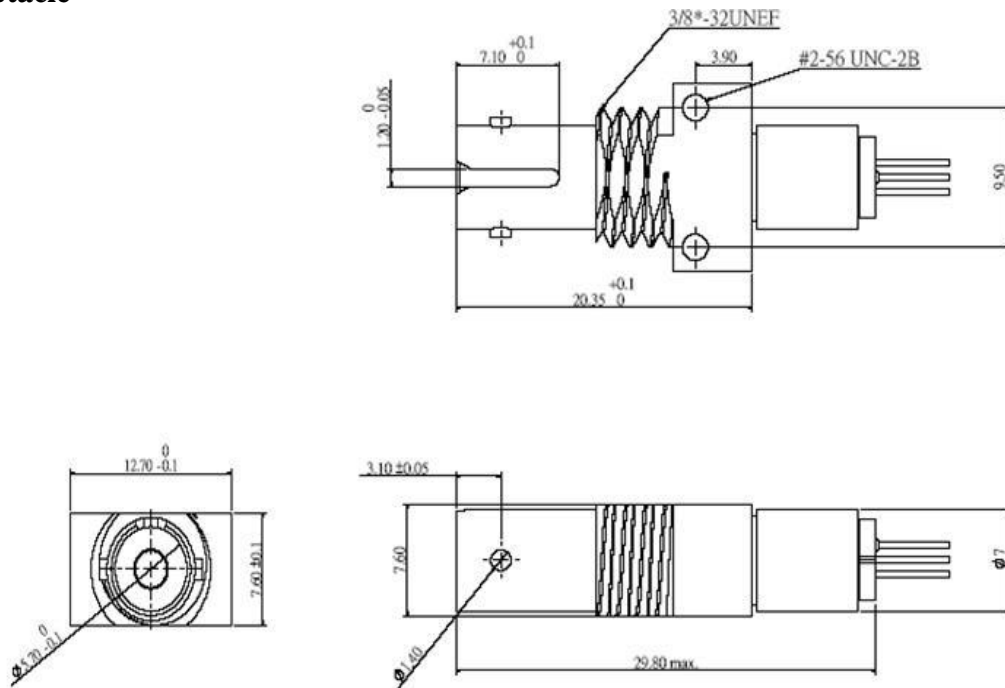
Pigtail



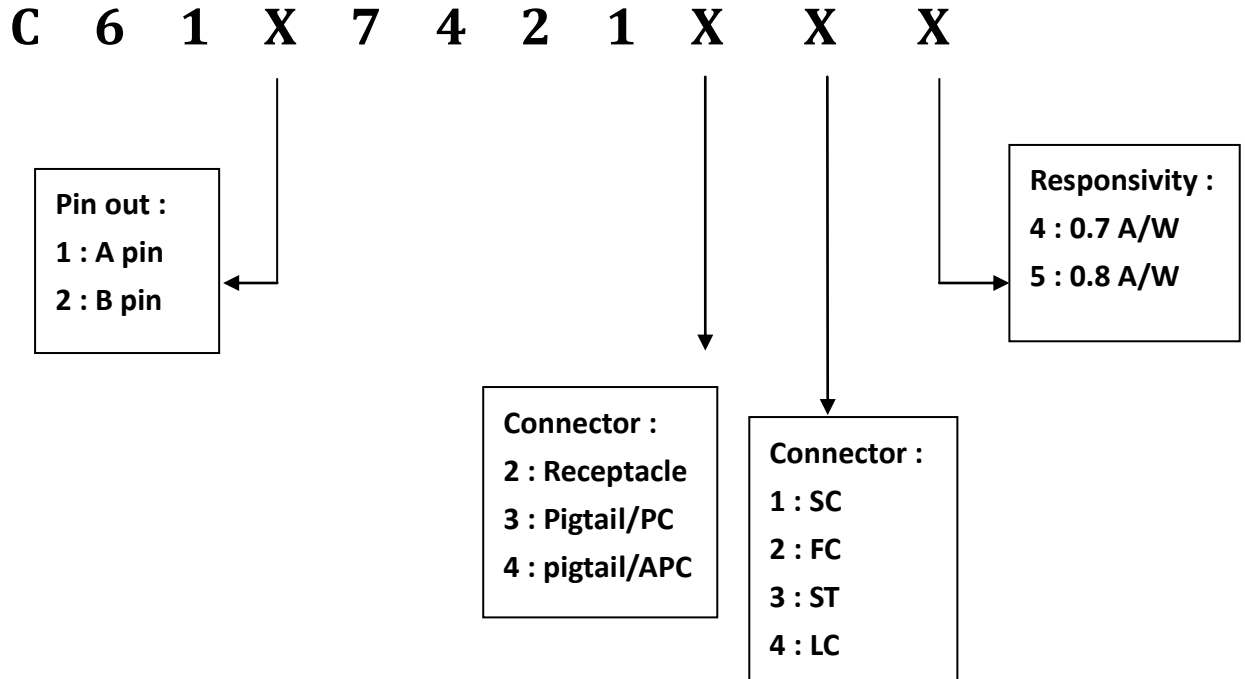
FC Receptacle



ST Receptacle

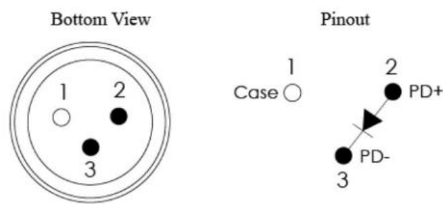


InGaAs PD Order Information

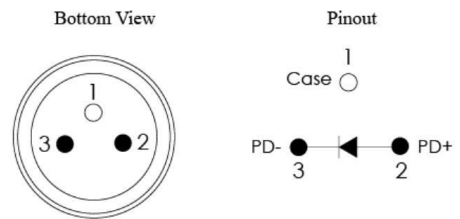


(Dimensions in mm)

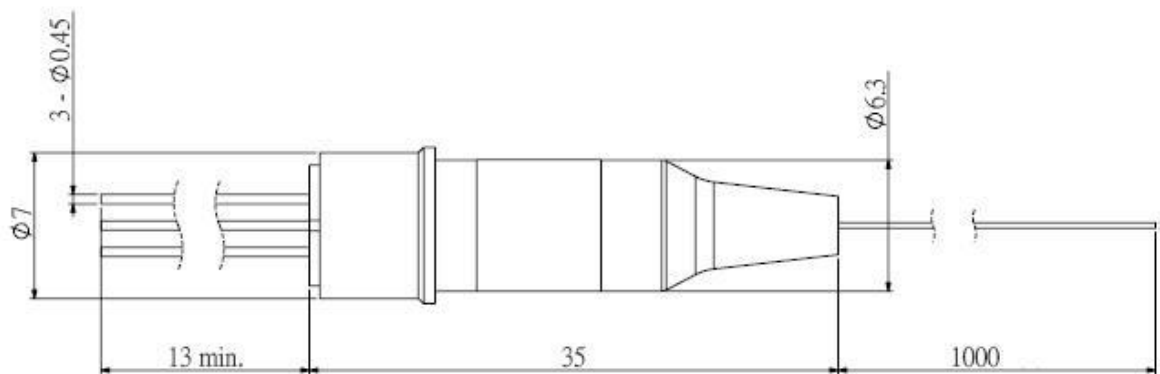
A-Pin



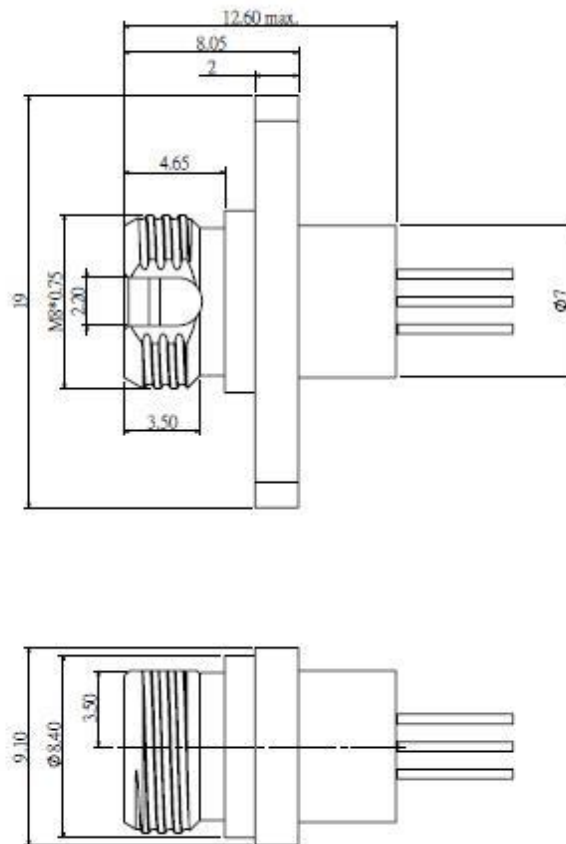
B-Pin



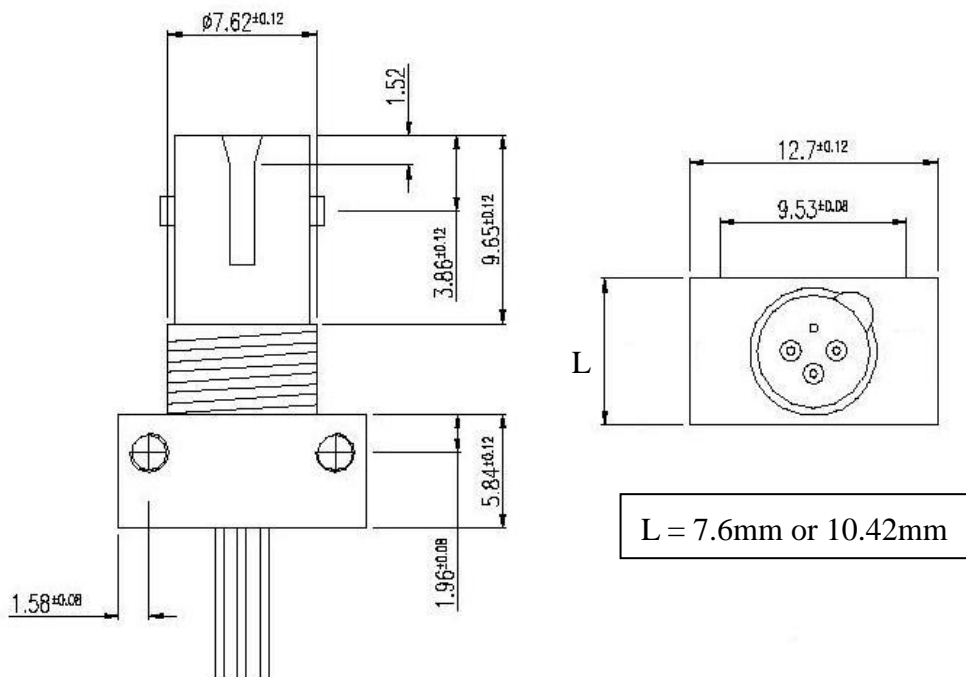
Pigtail



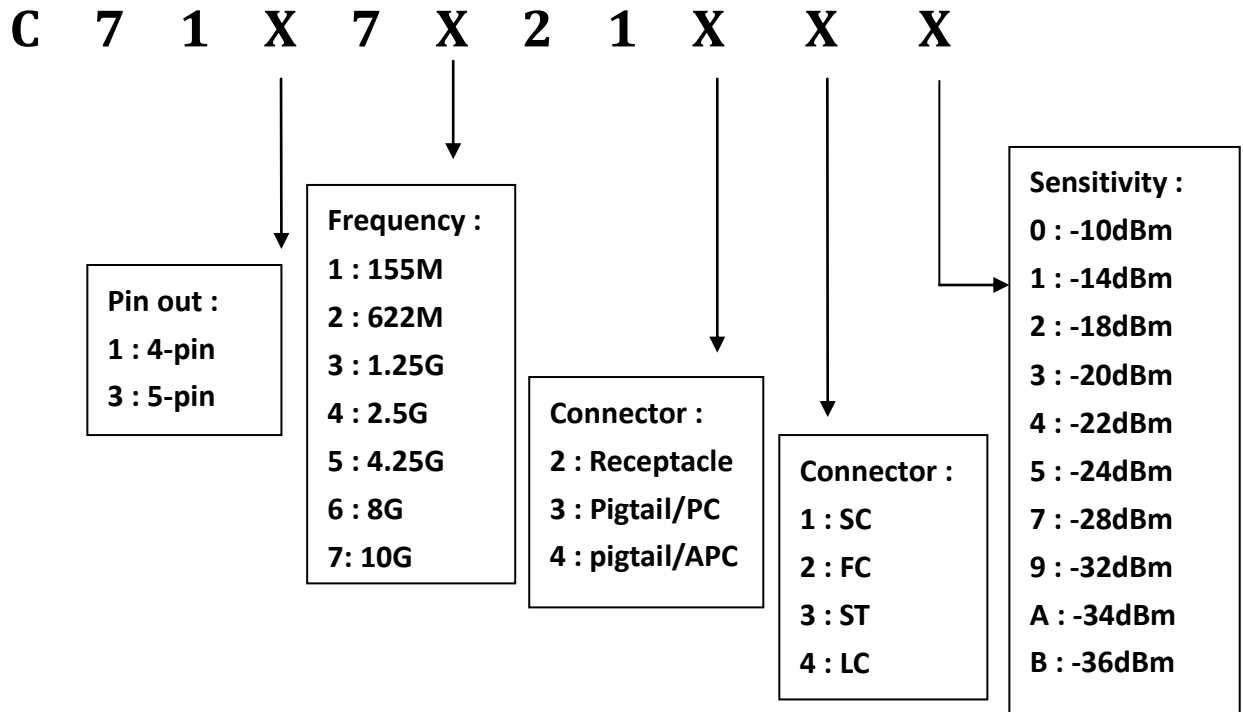
FC Receptacle



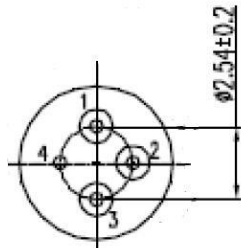
ST Receptacle



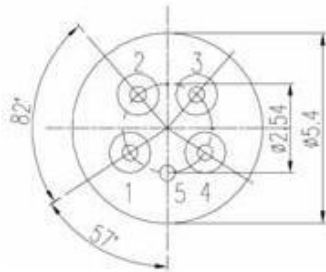
Order Information



(Dimensions in mm)

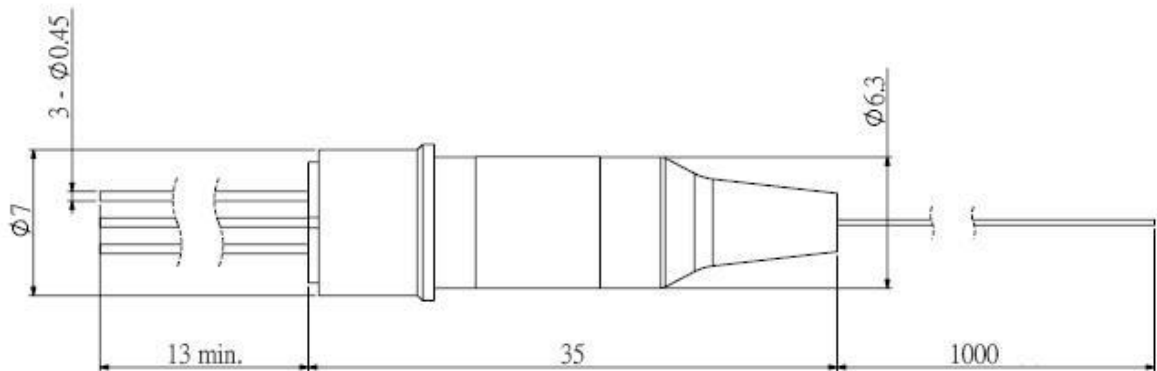


Number	Function
1	VCC
2	Dout-
3	Dout+
4	GND

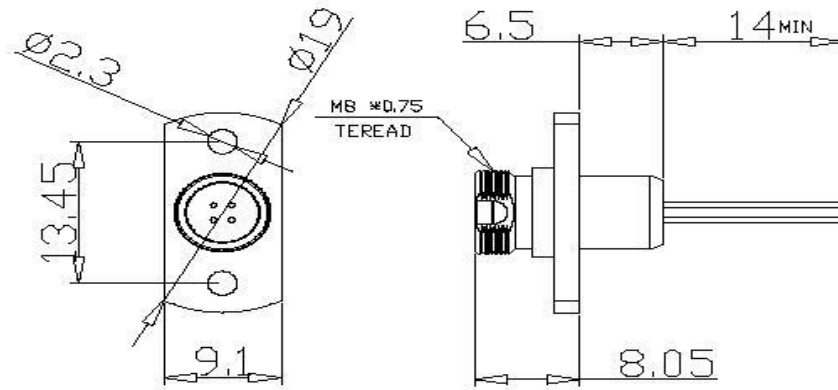


Number	Function
1	Dout +
2	Vcc
3	Isource
4	Dout -
5	GND

Pigtail



FC type :



ST type :

