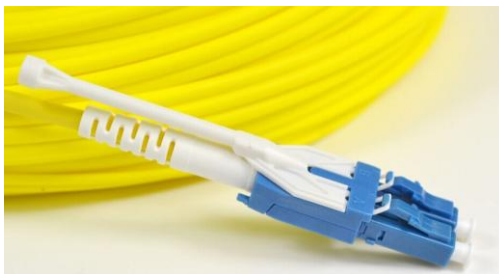
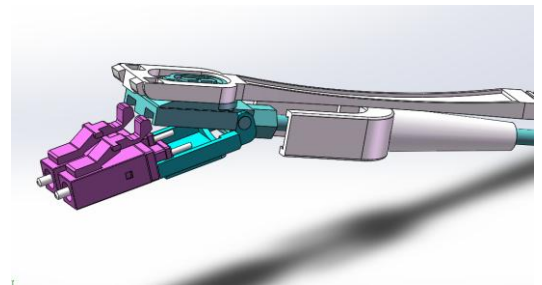


## MPO-LC (Uniboot Connector)



### Features

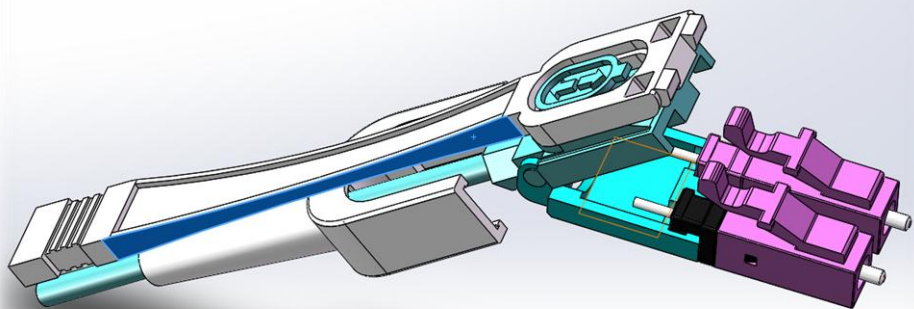
- Low Insertion Loss and Back reflection Loss
- Compliant with Telcordia GR-326-Core, IEC, TIA
- RoHS Compliant
- 100% Optic test

### Application

- Telecommunication networks
- CATV
- LAN & WAN
- FTTX
- Datacenter
- Broadband Network

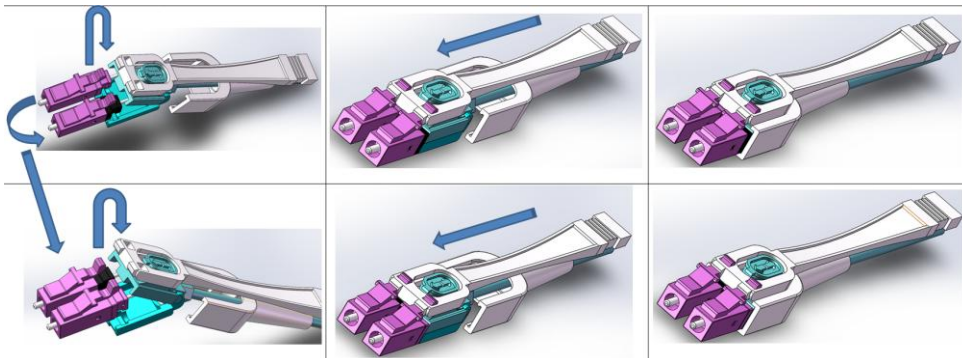


# LC Uniboot Connector



Removable

Assembly Easy



Housing Color		
●	SM PC	Blue
●	SM APC	Green
●	OM1	Grey
●	OM2	Grey / Black
●	OM3	Aqua
●	OM4	Violet

High Density Spacing

