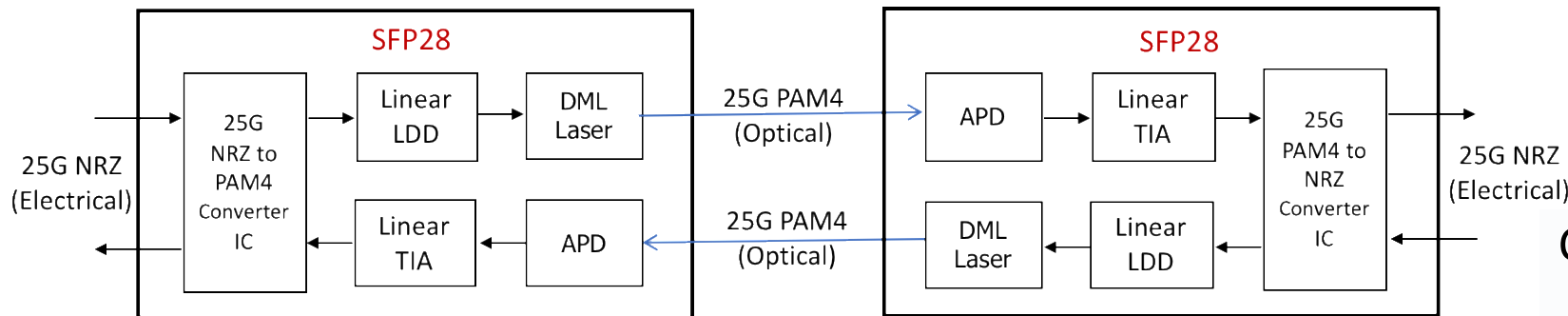


25G PAM4 SFP28

General Features

- 25G PAM4 SFP28 to overcome dispersion limit
 - 25G electrical NRZ signal is converted by PAM4 signal in Tx
 - Electrical PAM4 signal is converted by electrical 25G NRZ signal in Rx
- 25G EML, C-band transmitter (0.8nm channel spacing)
- 25G APD receiver
- Transmission distance > 20km
- Sample available in Q4, 2021



Contact: slee@cosemi.com

krhie@cosemi.com