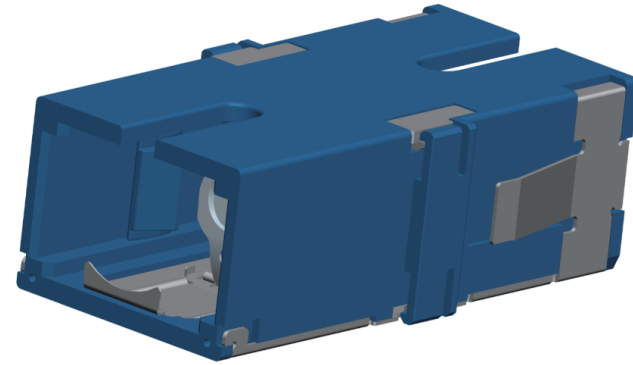
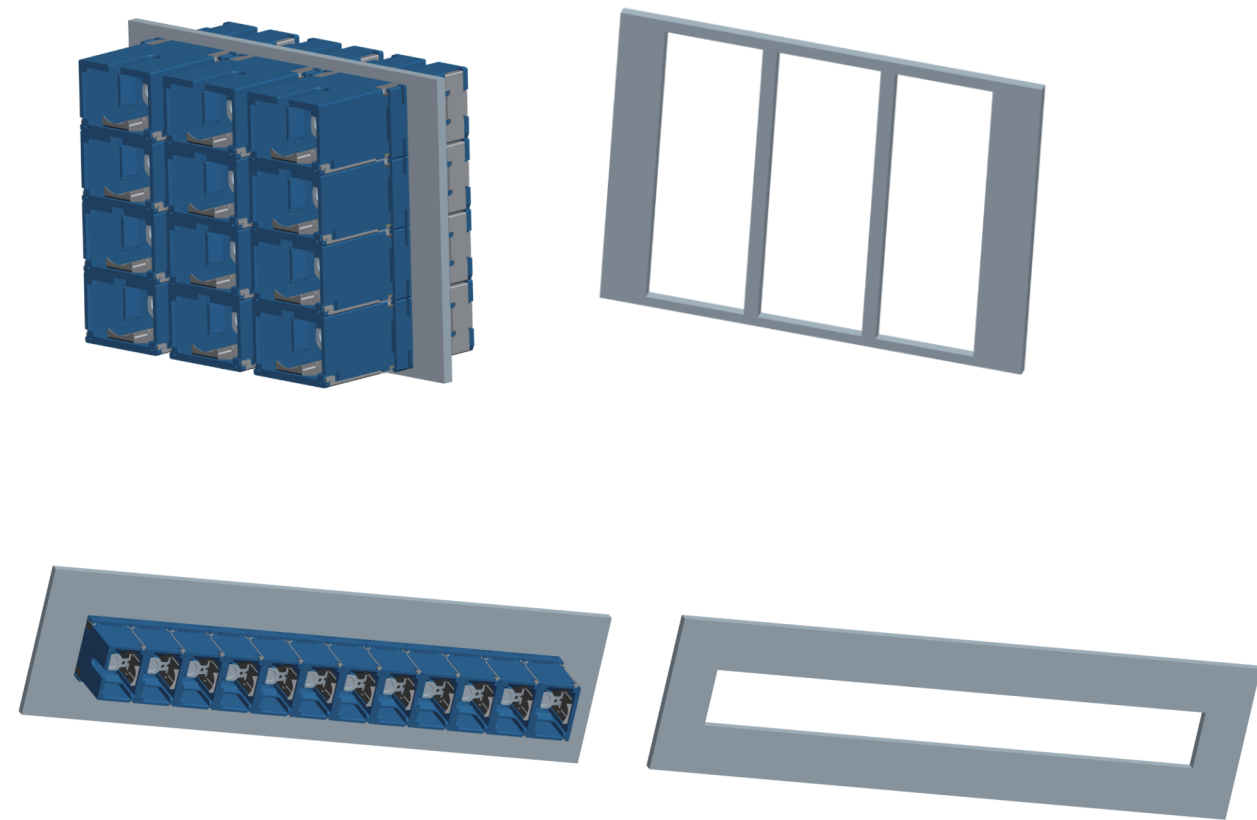


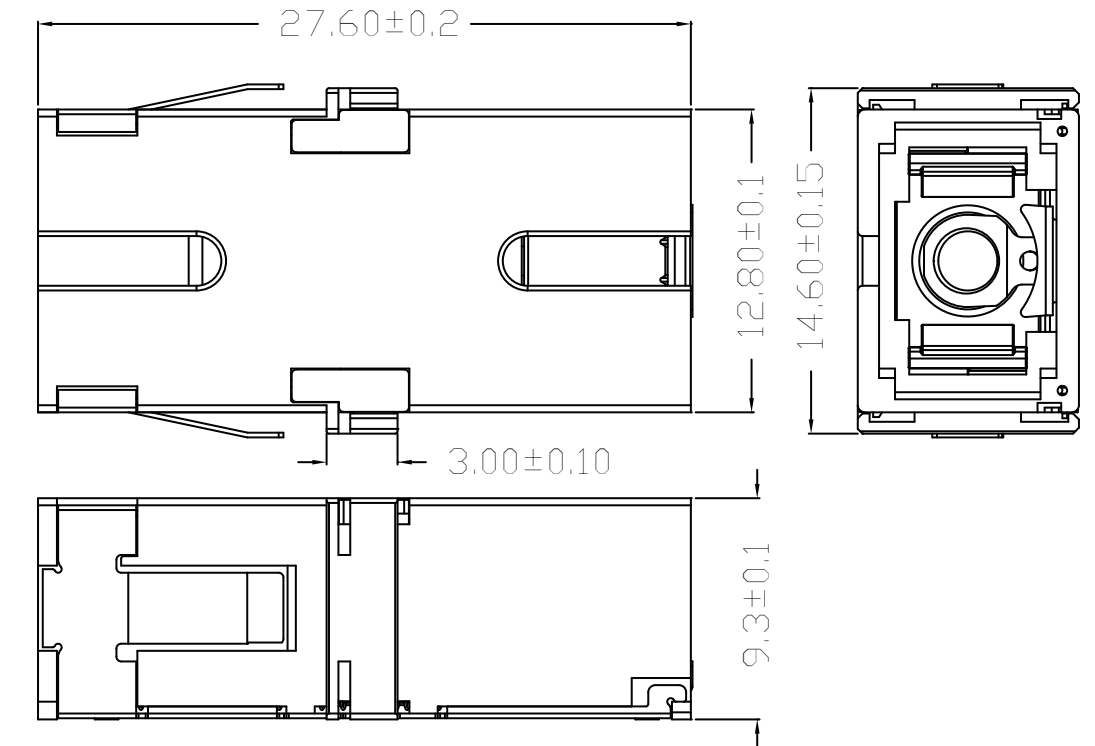
- SC Adapter(shot flange with internal shutter)



- Application



- Dimention



Key Specifications	
Insertion Loss	≤0.2dB
Operatin Temperature	-40°C to+85°C
Storage Temperature	-40°C to+85°C
Size	IEC61754-4
Durability,500 cycles	IEC61300-2-2
Strength of coupling mechanism, 40N, 5N/s, 120s	IEC61300-2-6
Damp Heat test, +25°C to +55°C, >90% RH, 6 cycles	IEC61300-2-46
thermal change test , +75°C to -40°C, 1h at extreme temperature, 1°C/min, 12 cycles	IEC61300-2-22
Dust test	GR326_4.4.4.1