

PEACOC® Compact OSP Terminal – 12/24/32/48 Ports

Description:

The Go!Foton PEACOC Terminal offers high density fiber management in an extremely small yet easily accessible box for fast installation and quick turn-up of field connections with guaranteed quality and performance. Offered with a variety of stubbed outside plant (OSP) cable lengths, this fiber terminal provides versatility for a variety of fiber network applications. Non-stubbed versions deliver simple plug-and-play operability using high quality fiber terminations. A variety of mounting options are also available to provide value and consistency throughout the network. It's high-density fiber management – **that works!**

Features:

- Enhanced connector access using PEACOC spreadable adapter technology
- Pre-terminated solution reduces cable installation costs
- Compact size for concealed applications and tight spaces
- Removable / tethered cover for ease of use
- Pre-stubbed terminal integrated with rotatable spool packaging for simple installation
- Strand, Pole and Wall mounting versatility

Applications:

- Telecommunication and Wireless Networks
- Ideal for 5G, Small Cell, and DAS Networks
- Demarcation terminal between Core Network and Wireless or Access Edge
- FTTA and MDU applications
- 10G/100G networks and beyond
- Strand Mount, Pole Mount and Wall Mount options
- External or Concealed within Pole Mounting

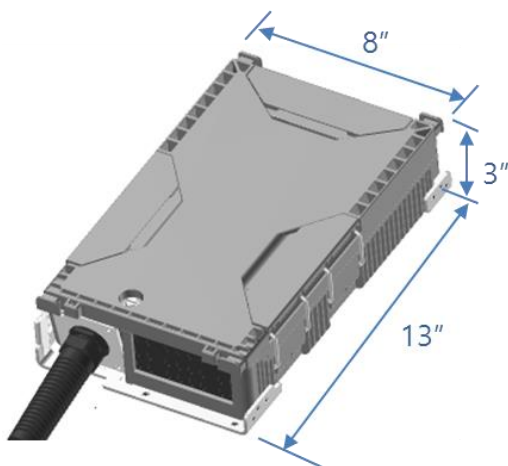


PEACOC® Compact OSP Terminal – 12/24/32/48 Ports

Specifications:

PARAMETER	SPECIFICATION
Outer Dimensions	8" x 13" x 3"
Fiber Capacity (input/drops)	12 ~ 48 Fibers
Number of Adapters	12 ~ 48 Simplex / 6 ~ 24 Duplex
Adapter Type(s)	Duplex/Simplex LC-APC, LC-UPC, SC-APC, SC-UPC
Pre-Stubbed Lengths	50 – 500 feet
Optional Non-Stubbed	Also available with non-stubbed: LC Terminated, MPO Terminated or Bare Cable for Splicing
Operating Temperature	-40°C to +70°C
Mounting Options	Strand, Pole, and Wall Mount
Locking Mechanism	216 tool key
Cover	Hinged with Tether (Field Removable)
Color	Gray
Packaging	Rotating Spool in a Carton: < 500 ft stub Standard Carton for Non-Stubbed
Standards	VZ TPR.912 and GR-771

Product Dimensions:

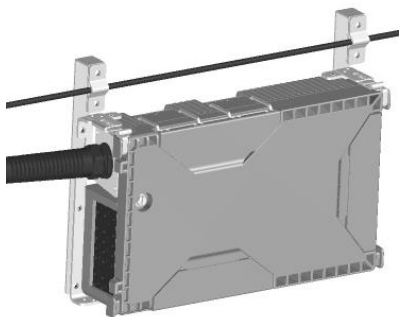


Product Options:

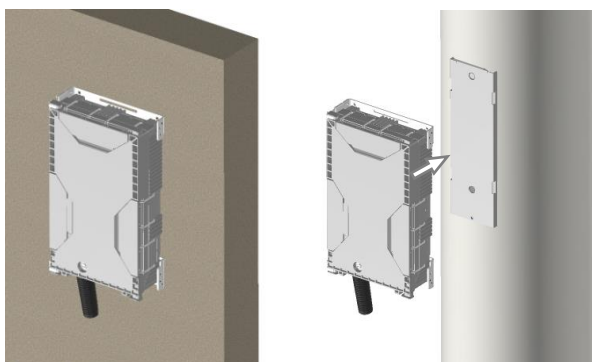


PEACOC® Compact OSP Terminal – 12/24/32/48 Ports

Mounting Options:

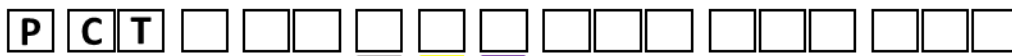


STRAND MOUNT



WALL and POLE MOUNT

Ordering Guide:



PRODUCT FAMILY CODE	
Code	Description
P	PEACOC

PRODUCT TYPE	
Code	Description
CT	Compact Terminal

VERSION	
Code	Description
P	Pre-Terminated / Stubbed
N	Non-Stubbed
M	Non-Stubbed - with MPO Input
L	Splice (Loose Tube)
R	Splice (Ribbon)

NUMBER OF PORTS	
Code	Description
12	12 Ports
16	16 Ports
24	24 Ports
36	36 Ports
48	48 Ports

ADAPTER TYPE	
Code	Description
1	LC / UPC (Blue)
2	LC / APC (Green)
3	LC / UPC (Aqua)
4	SC / UPC (Blue)
5	SC / APC (Green)
6	SC / PC (Aqua)

F1 (INPUT) CABLE TYPE	
Code	Description
A	12F OSP Loose Tube All Dry
B	12F OSP Ribbon All Dry
C	24F OSP Loose Tube All Dry
D	24F OSP Ribbon All Dry
E	48F OSP Loose Tube All Dry
F	48F OSP Ribbon All Dry

PRODUCT SERIES	
Code	Description
---	Product Series (3 Numeric)

CUSTOMER CODE	
Code	Description
---	Customer Code (3 Letters)

STUB LENGTH	
Code	Description
001 ~ 999	Length Units

LENGTH UNIT	
Code	Description
F	Length in Feet

Example Ordering Code:

Order Code: PCTN122

Description: OSP Compact Terminal Non-Stubbed Version 12-Ports LC/APC Adapters only

Order Code: PCTP122AF100

Description: OSP Compact Terminal Stubbed version 12-Ports LC/APC 100 Feet

